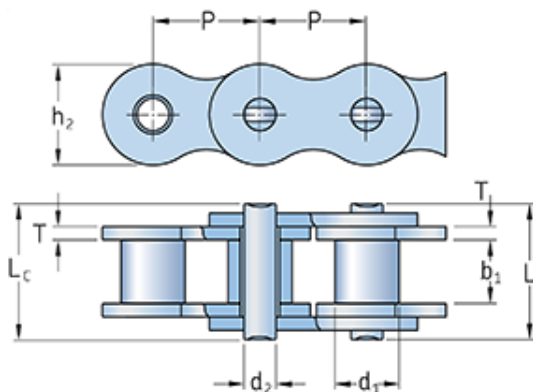


PHC 40-1X5MTR



Pitch P (mm)	12.7
Roller diameter d1 max (mm)	7.95
Width between inner plates b1 min (mm)	7.85
Pin diameter d2 max (mm)	3.96
Plate height h2 max (mm)	12
Plate thickness T max (mm)	-
Weight (kg/m)	0.62